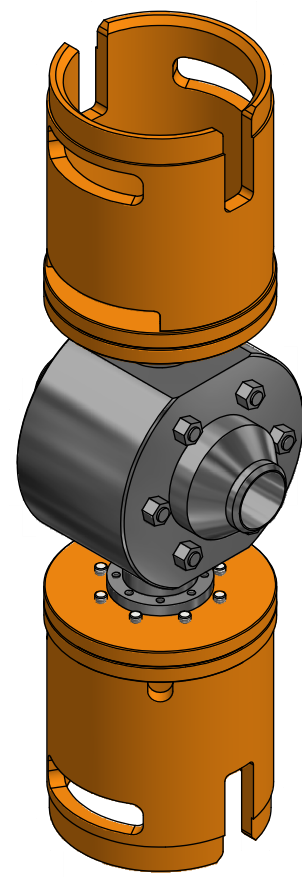


NOTE: 1  
 DESIGN CODE:  
 N/A

NOTE: 2  
 TECHNICAL CLASSIFICATION:  
 Article Type: 007-Valves  
 Main Group: 7.2. Ball-Valve  
 Intermediate Group: 7.1014.07. 2"  
 Sub Group: 7.1014.274.1. Intervention

NOTE: 3  
 INTERFACE INFORMATION:  
 Pressure Rating Bar: 154  
 Material: N/A  
 Weight: 63,4 kg  
 Volume: 8129,5 cm<sup>3</sup>  
 Surface Area: 9885 cm<sup>2</sup>  
 Hydraulic: N/A  
 Mechanical: N/A  
 Electrical: N/A  
 Com. & Protocol: N/A



Rev.	Date	Reason for issue	Revision change	Made	Chk'd	Appr.
01	24.11.2015	2-IFT (Issued for Tender)				



Dwg Scale:	NTS
Dwg Proj:	
Dwg Format:	A3

Drawing title:	2 inch Ball Valve Double Stem with Class 4 Bucket	
Drawing number:	BA7632	Rev. 01